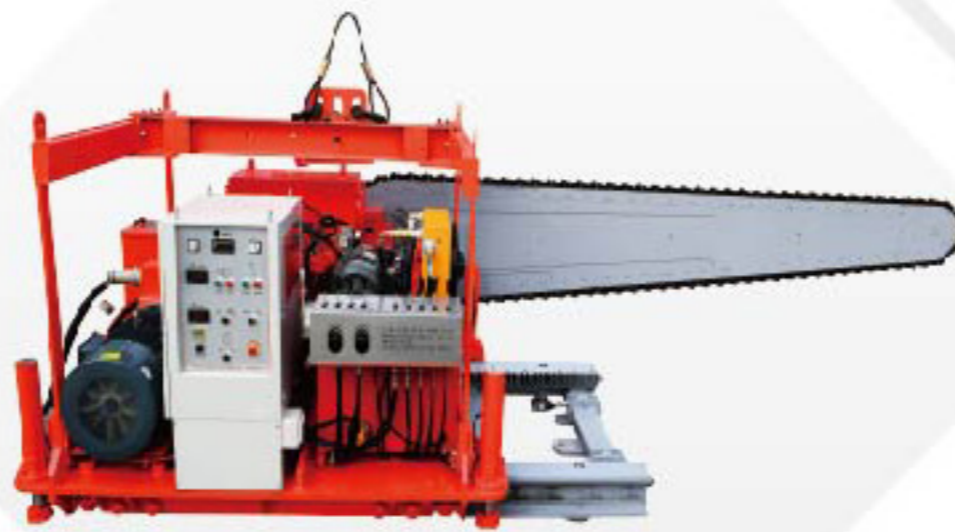


CS系列大理石链臂锯

CS series marble chain saw



上海中筑实业有限公司

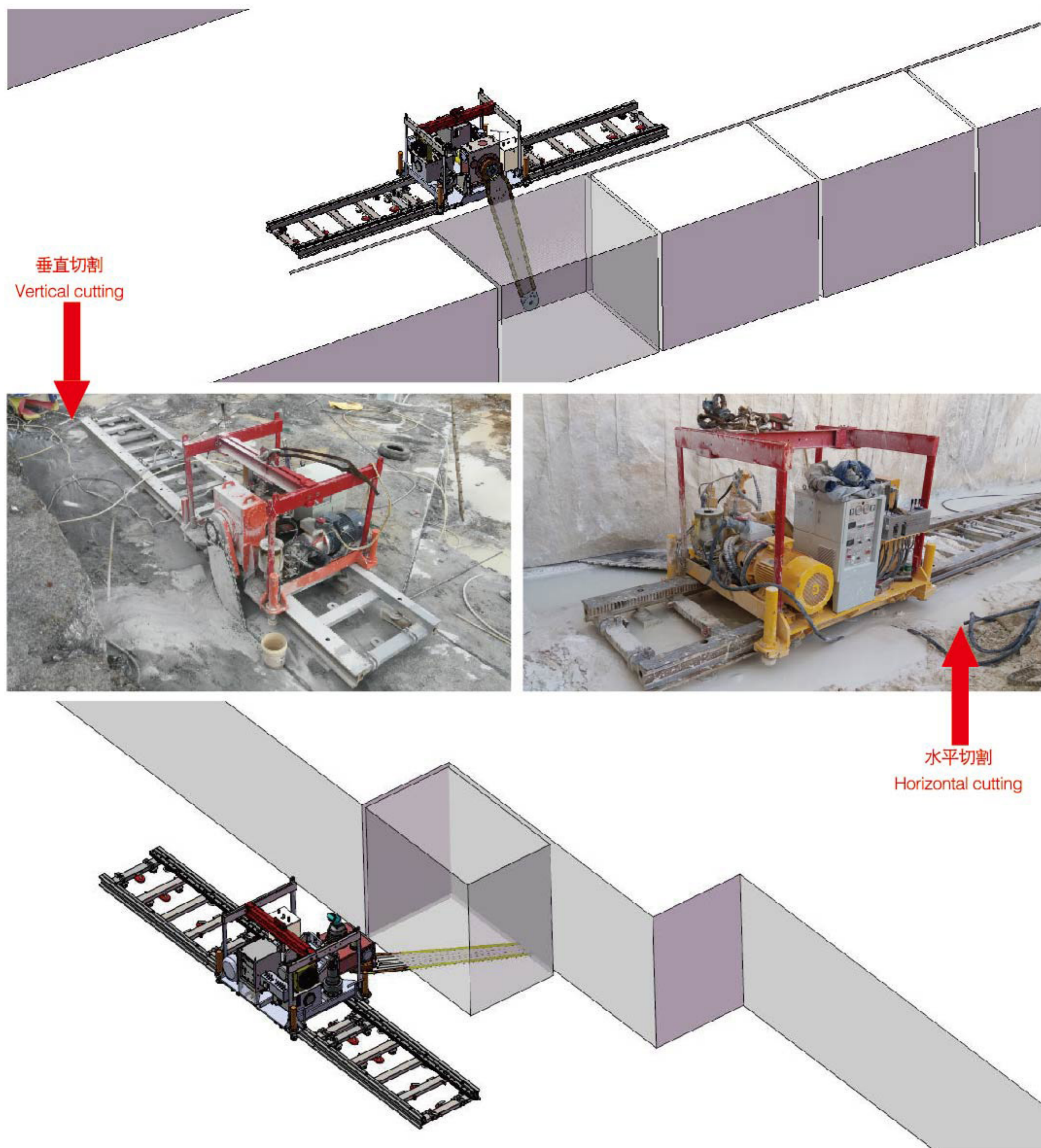
SHANGHAI ZHONGZHU INDUSTRIAL CO.,LTD

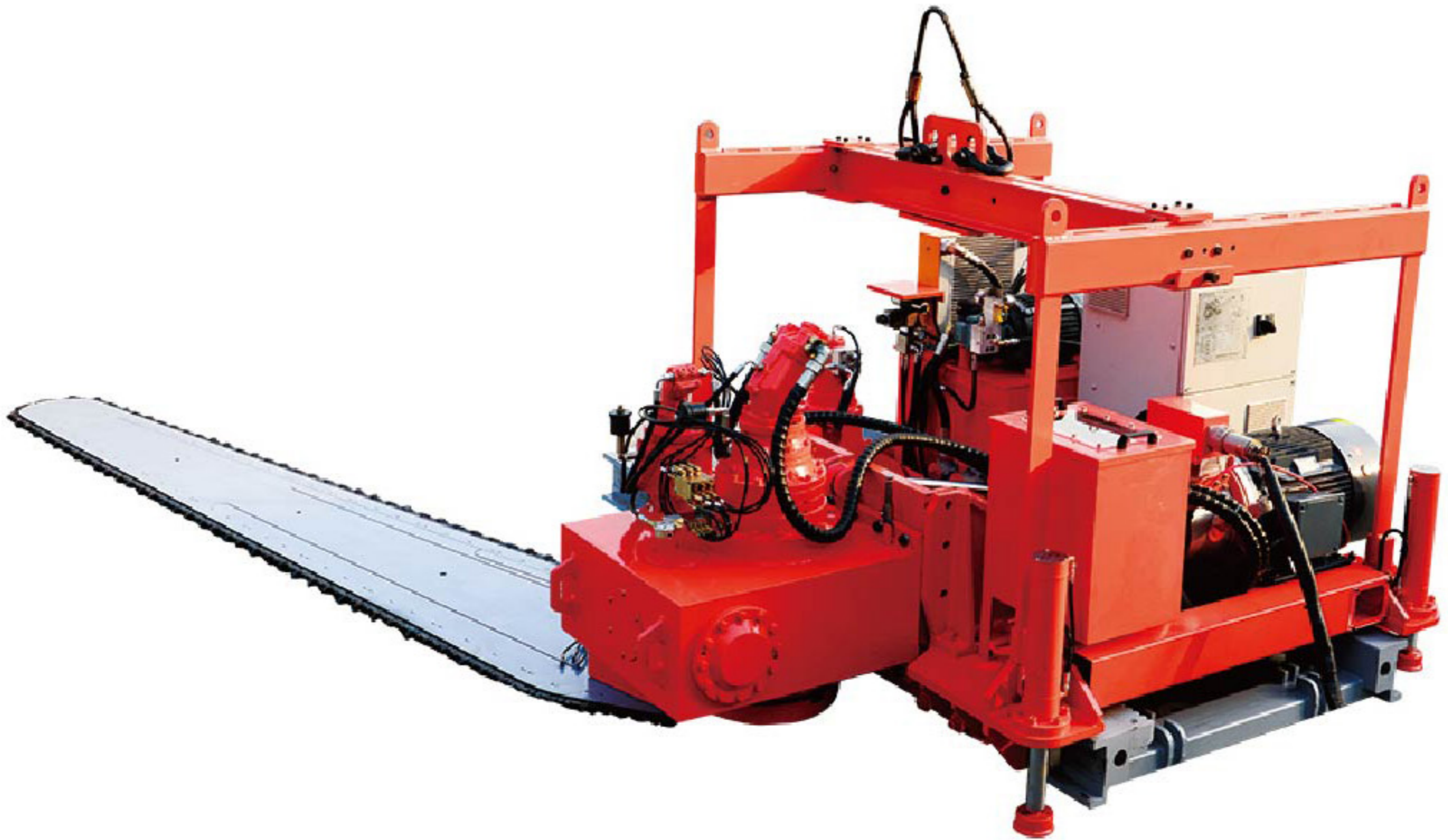
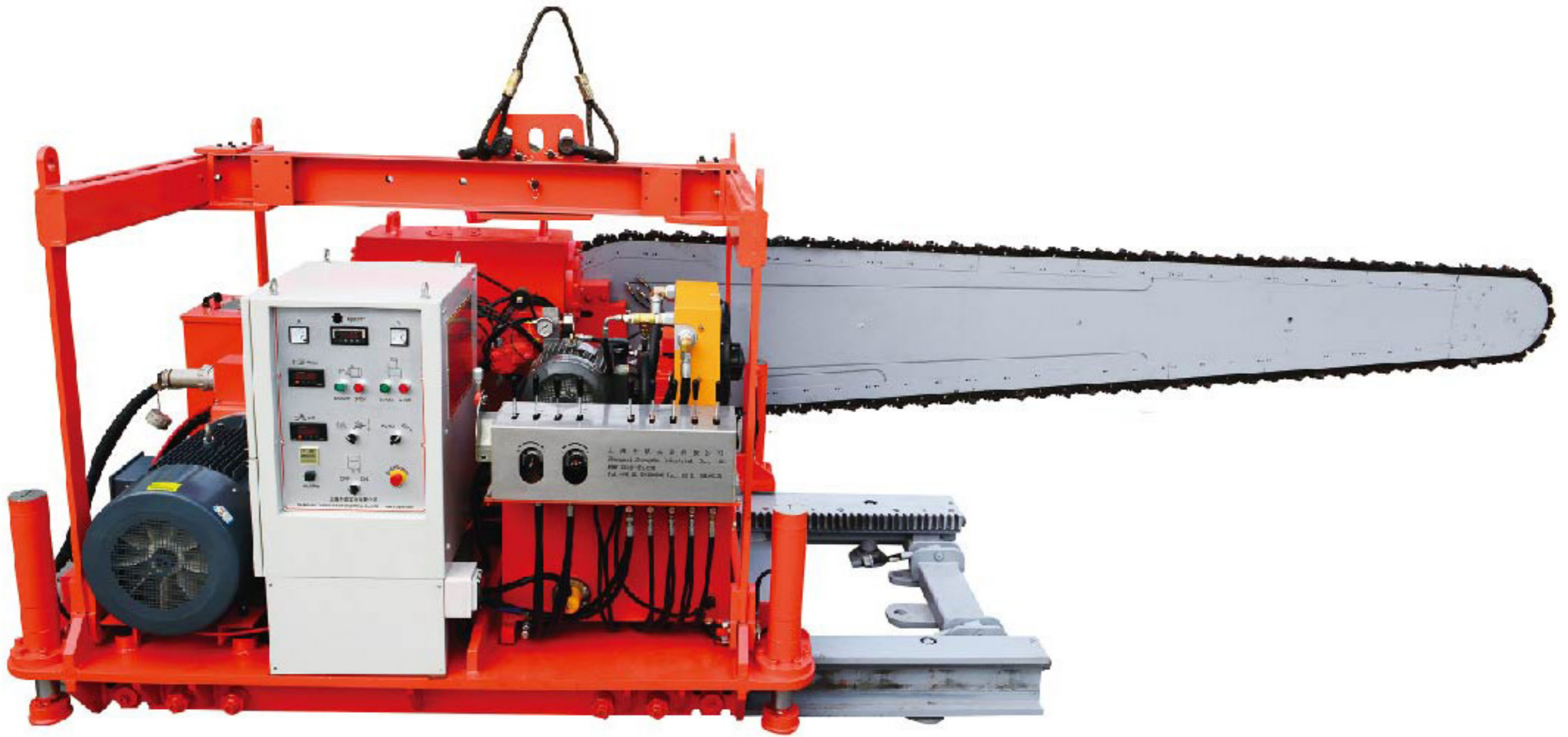
www.zzsy-sh.com

轨道式链臂锯

轨道式链臂锯为最基本机型，轨道直接安放在被开采矿体表面，工作中轨道交替使用，每台机都可以设计为具有垂直及水平切割2种工作模式，适应大理石矿山范围广，开采效率高。

The chain saw for rails machine is the most basic type, whose rails are placed on the surface of mining ore body, and the rails are used alternately. Each machine can be designed to have two working modes of vertical and horizontal cutting, which is suitable for wide range of marble mines with high mining efficiency.







轨道式链臂锯参数表

Chain saw for rails technical features

型号 Model	最大切割深度(mm) Maximum cut depth(mm)	切口宽度(mm) Cutting width (mm)	切割速度m/h Cutting speed m/h	移动速度m/h Travel speed	总功率kw Installed power kw	机器重量kg Weight kg	主机外形尺寸mm Dimensions mm
GD-CS2500	2500	40	0~4	30	45	5700	3200 × 1800 × 1860
GD-CS3200	3200	40	0~4	30	55	7100	3200 × 2000 × 1860
GD-CS4000	4000	40	0~4	30	55	7600	3200 × 2000 × 1860
GD-CS7500	7500	40	0~4	30	65	11000	4000 × 2100 × 2100

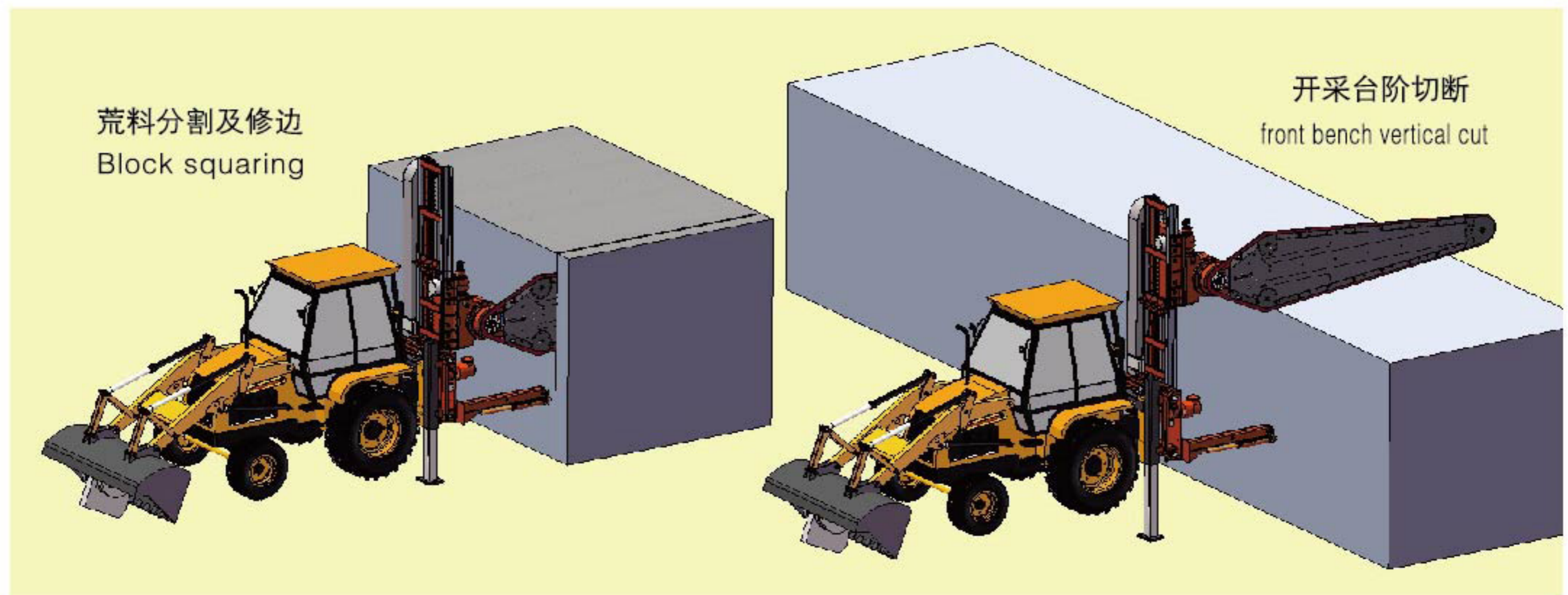
轮式装载机链臂锯

LZ-CS3400型轮式装载机链臂锯由链臂切割系统及轮式装载机两部分组成，主要用途为大块荒料分割及矿山条形矿石带切断，其特点为：

- 1.这台机器由轮式装载机自身的柴油机提供动力，可以独立工作，不需要外接电源。
- 2.开采操作人员在密封的驾驶室工作，工作环境友好、安全。
- 3.机器移动迅速、操作方便，效率高。

LZ-CS3400 chain saw for wheel loader consists of chain arm cutting system and wheel loader, mainly used for cutting large blocks and cutting strip ore belt in mine, its features are:

1. This machine is powered by the diesel engine of the wheel loader, which can work independently without external power supply.
2. Mining operators work in the sealed cab in a friendly and safe working environment.
3. The machine can move fast and operate conveniently with high efficiency.

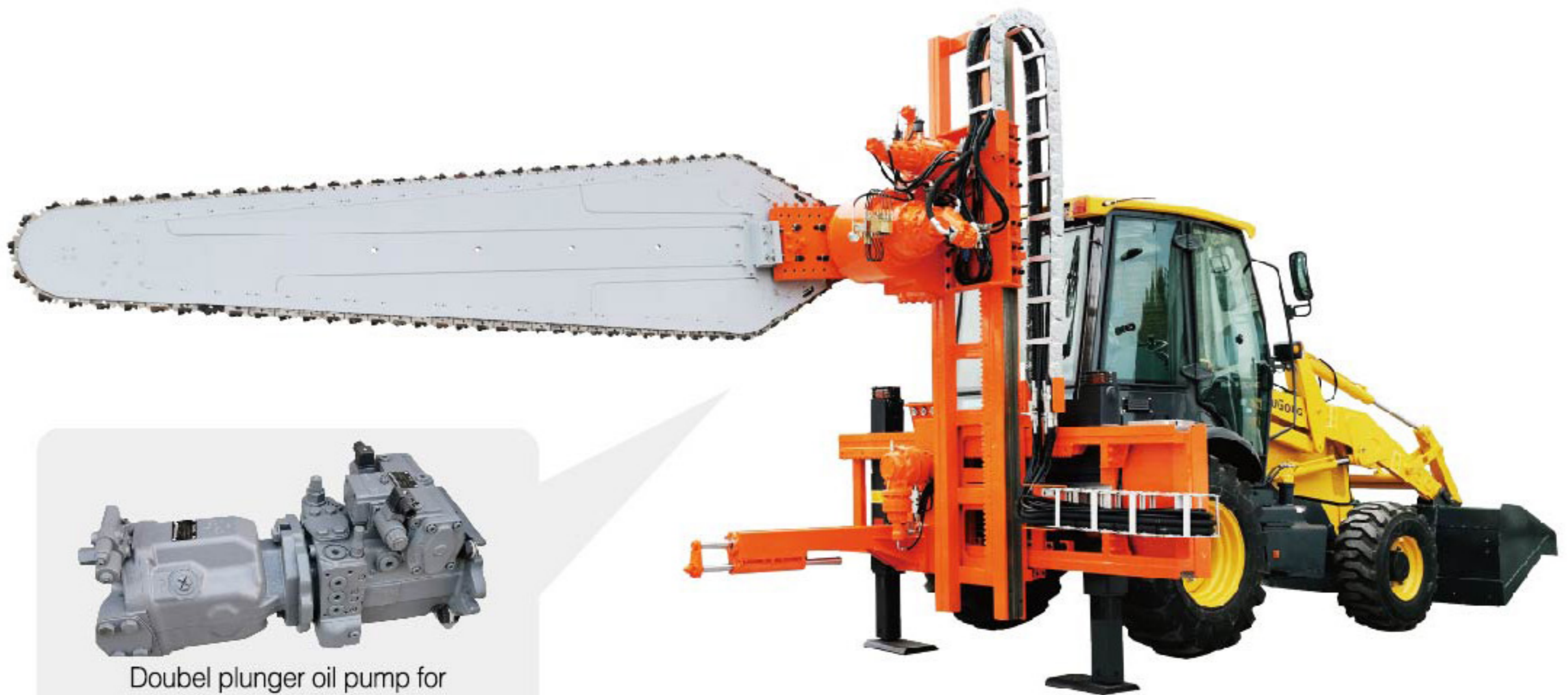




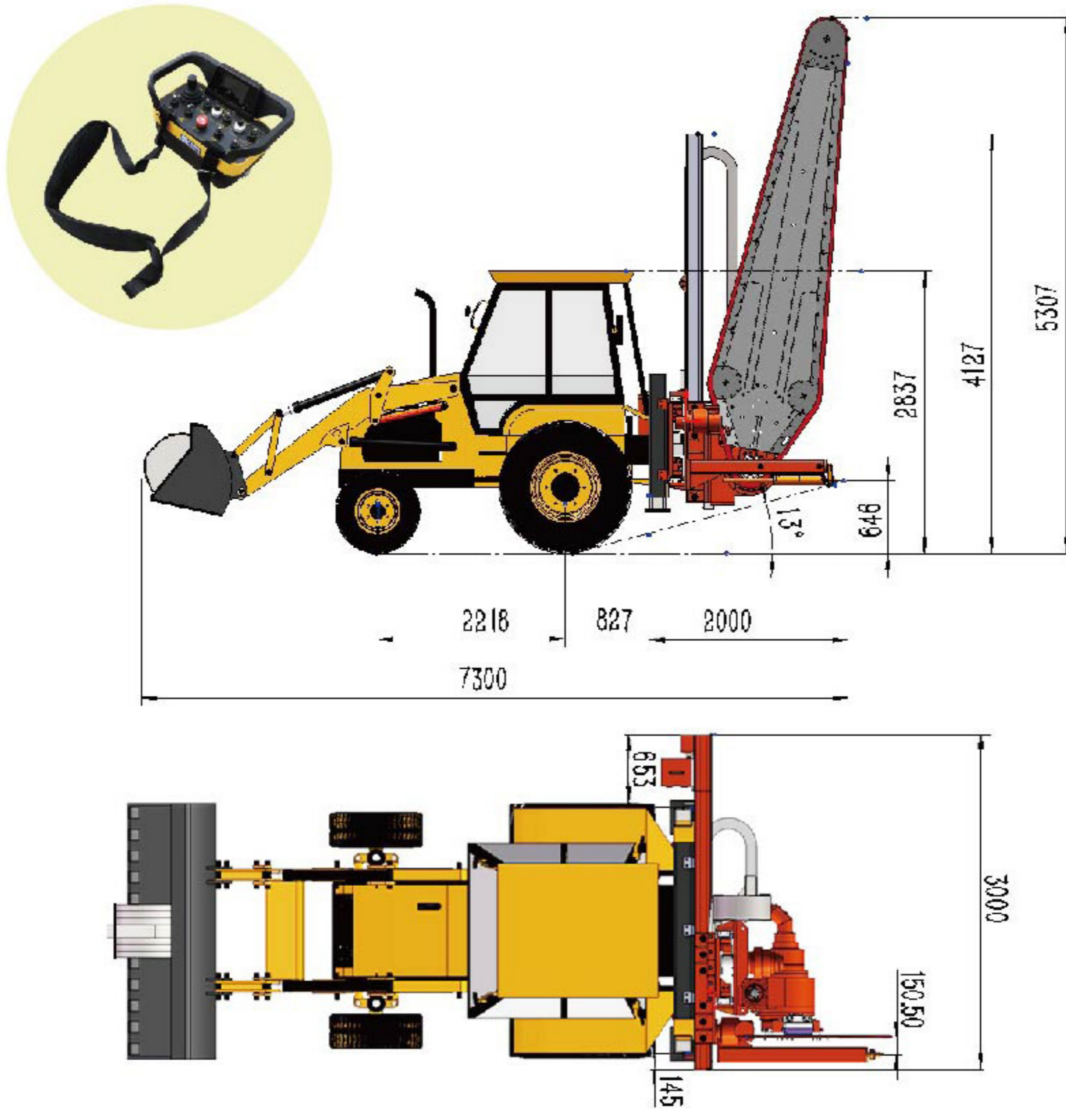
Diesel engine perkins 1104d-44ta



Italian original gearbox and drive axle



Double plunger oil pump for german bosch manufacturing



参数表

Technical features

型号 / Model	LZ-CS3400
链臂有效切割长度 / Available lengths of arm(Useful cut)	da/from 2m-a / to 3.40m
链臂旋转角度 / Arm rotation	90°
链臂垂直行程 / Vertical stroke	3000mm
链臂水平行程 / Horizontal stroke	2000mm
切割部分重量 / Weight of cutting unit	3800kg
切缝宽度 / Cut width	40mm
润滑脂容量 / Grease tank capacity	30kg
润滑脂消耗量 / Grease capacity	0.3-1kg / h
柴油机油耗 / Diesel consumption	7-10L / h
切割链条转速 / Round per minutes of the chain rotation pinion	65 rpm
柴油机转速 / Round per minutes of the diesel engine	1400-1500 rpm
机器最大爬坡度 / Rear gear movement maximum slope	21%
总功率 / Total power	74.5kw
总重量(包括装载机) / Total weight , including wheel loader	11.000 kg

履带式链臂锯

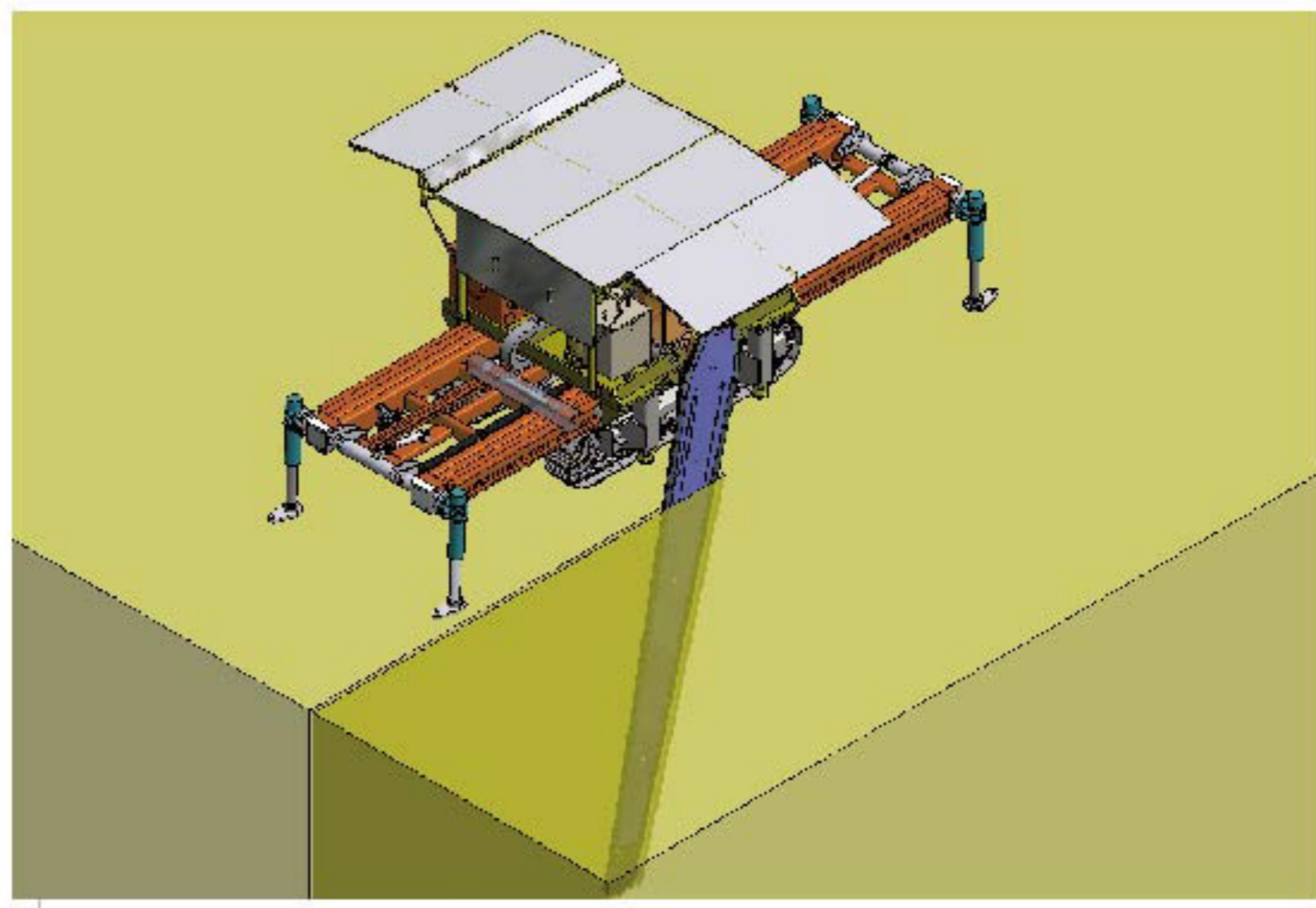
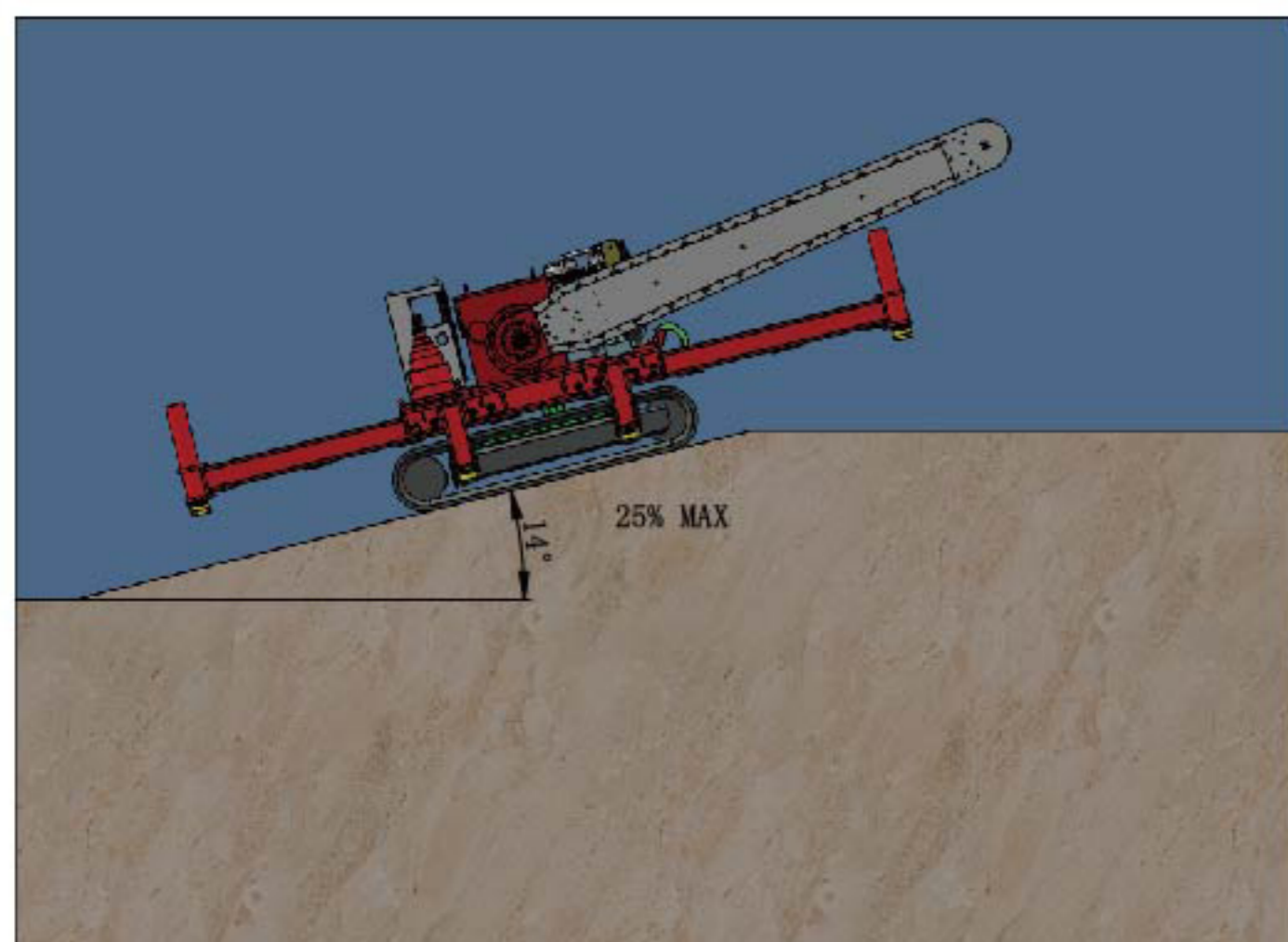
履带式链臂锯为轨道式链臂锯增强版，最大特色为机器配有履带自行行走，移动方便灵活，工作中轨道与主机交替移动，可以不需要其它起重机械来配合搬运轨道，适合露天矿山使用。

chain saw for crawler is the enhanced one of orbital-type chain saw, the biggest characteristic of the machine is equipped with a pedrail walking itself, moving conveniently and flexibly. The machine host and pedrail move alternately in working, which don't need to cooperate with other hoisting machinery moving track, suitable for outdoor use in mines.



机器能够在不平的地面越野移动，最多可爬14度（坡度25%）的斜坡。

The machine can move on the uneven ground, allowing the machine to overcome inclined surfaces up to 25% (14°)



机器的调整是用一个无线遥控来操作，这样操作方便，并且保证人员安全，所有部件密封的很严密，采取保护措施，适合在野外工作。

The all machine is driven by a radio remote control (wireless) to allow the operator to follow all operation at a safe distance , suitable for working outside.



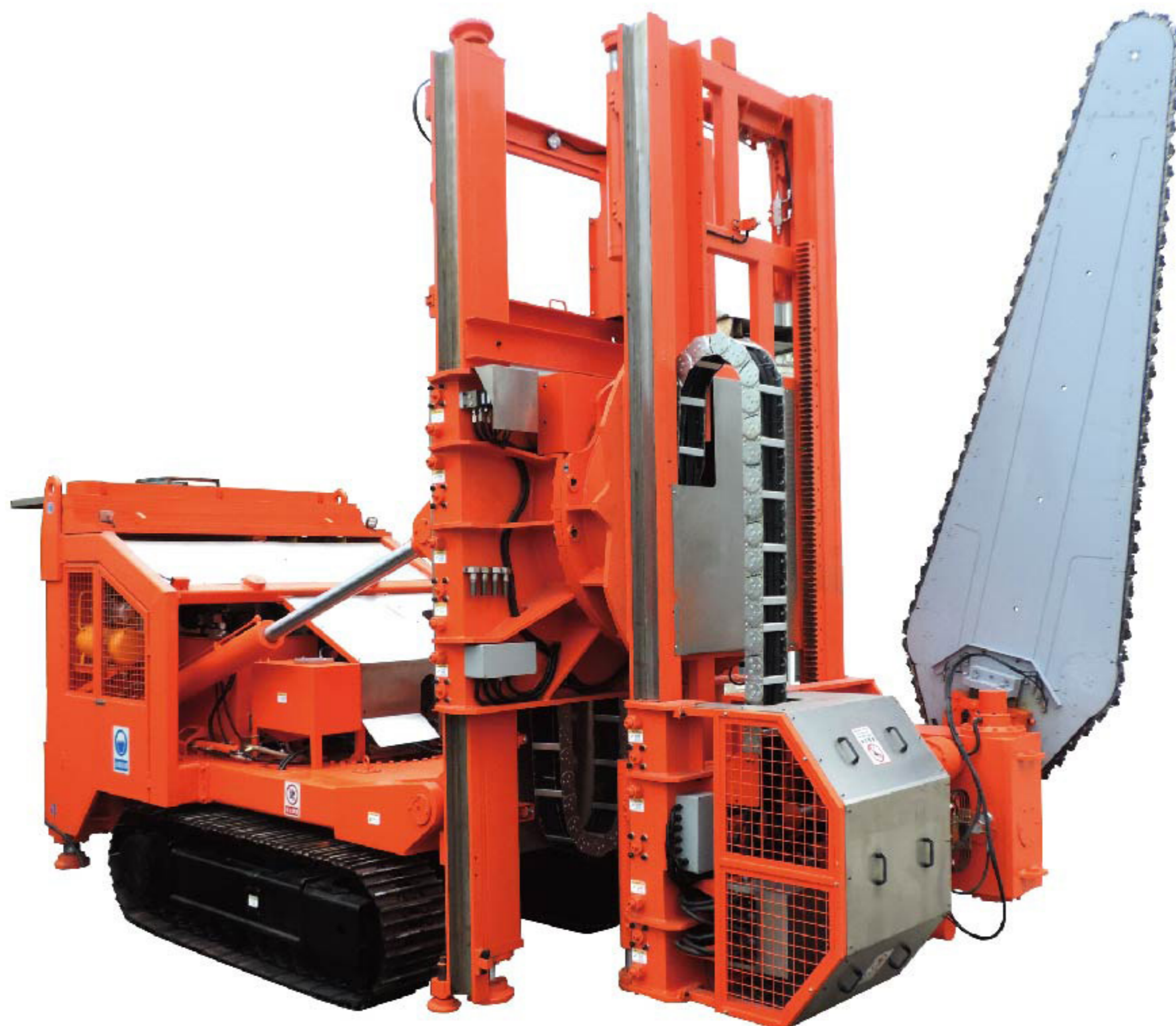
履带式链臂锯参数表

Chain saw for crawler technical features

型号 Model	最大有效切割深度(mm) Maximum useful cut depth(mm)	切口宽度(mm) Cutting width (mm)	切割速度m/h Cutting speed m/h	总功率kw Installed power kw	机器重量kg Weight kg	主机外形尺寸mm Dimensions mm
LD-CS2500	2500	40	0~4	55	13000	6500 × 2250 × 2100
LD-CS4000	4000	40	0~4	75	14500	6500 × 2250 × 2100

说明：履带行走速度 (speed of travel): 0.6km/h

洞室开采链臂锯



洞室开采大理石优势

Advantages of using chain saw for underground mines

1. 不必大规模剥离山皮及土方，直接开采最优质大理石资源。
Don't need to do the large-scale stripping skin and mountain earth, it can mine the finest marble resources directly.
2. 征地及砍树少，废渣及碎石少，排渣及植被恢复费用低。
Less land acquisition and trees cutting, less slag and gravel, low cost of slagging and vegetation restoration.
3. 开采见效快,荒料外观好,荒料成材率高
Fast exploitation, good appearance of blocks, high blocks yield.
4. 开采效率高,且不受天气及白天黑夜时间影响,开采快慢进度可控,后期向左右及向下拓展开采效率及效益会更高。
High production efficiency, it is not affected by the weather, day and night time, and it can control the mining speed progress, and has higher mining efficiency and benefit in the late stage when expanding to the left, right and downward sides.
5. 综合成本低,长期效益好,各种风险低
Low comprehensive cost, good long-term benefits, low risks.

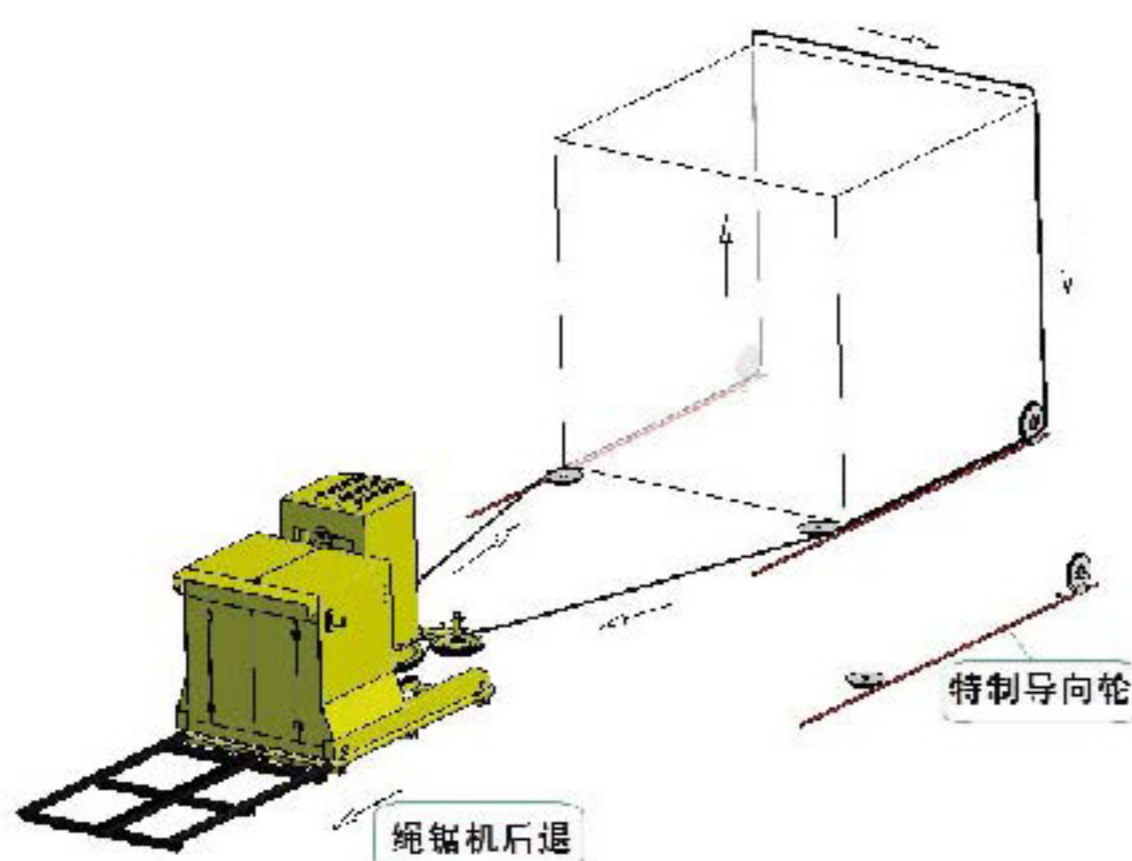


硐室开采链臂锯

工作中的机器--切割水平切缝 Working machine-- horizontal cutting



工作中的机器--切割垂直切缝 Working machine- vertical cutting



用金刚石绳锯借助导向轮切割后背切缝

Use the diamond wire saw with the help of a guide wheel to cut back seam.

借助叉装机或挖掘机取料

Take out the blocks by fork truck or excavator.

硐室开采链臂锯参数表

Chain saw for underground mines technical features

型号 Model	每版洞口尺寸(mm) Hole size(mm)	切口宽度(mm) Cutting width (mm)	切割速度m/h Cutting speed m/h	总功率kw Installed power kw	机器重量kg Weight kg	主机外形尺寸mm Dimensions mm
DC-CS2000	H4000 × W4000 × D2000	40	0~4	55	25000	5800 × 2000 × 2800
DC-CS3000	H5500 × W6000 × D3000	40	0~4	75	35000	6900 × 2530 × 3200

说明：履带行走速度 (speed of travel): 0.6km/h

配件-刀座及刀片

8个/组的刀座及正方形硬质合金刀头
Tooth holder and square widia bit (8 pc/ set)



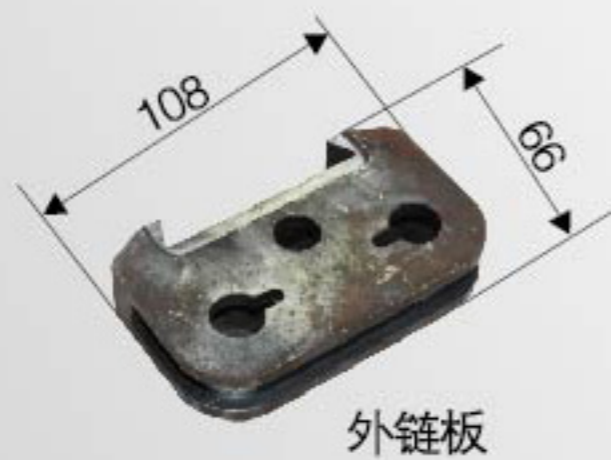
10个/组的刀座及正方形PCD刀头
Tooth holder and square PCD bit (10 pc/ set)



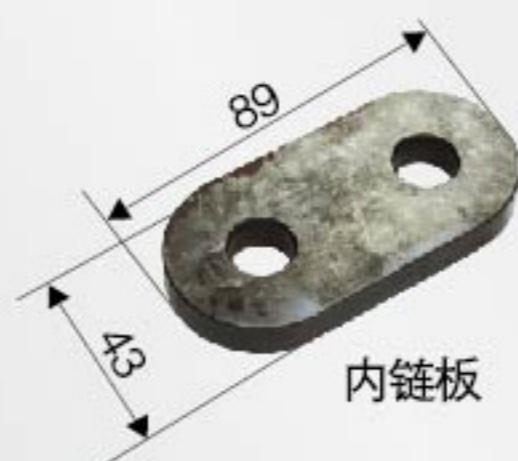
10个/组的刀座及圆形PCD刀头
Tooth holder and circle PCD bit (10 pc/ set)



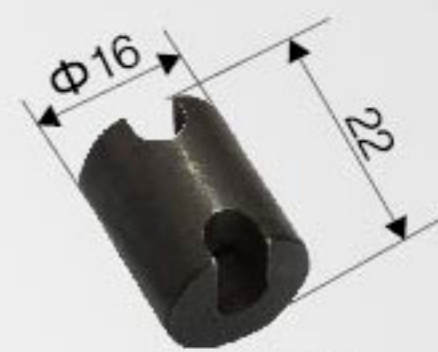
中筑22mm链条



外链板



内链板



16X22链销

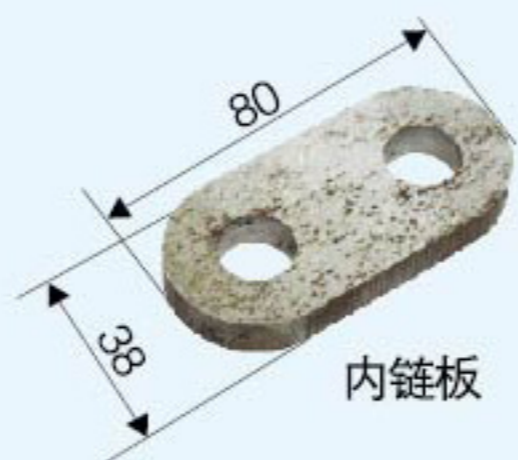


L销

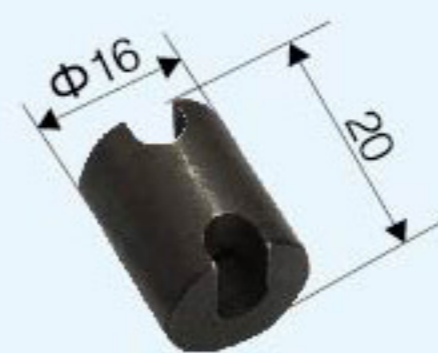
中筑20mm链条



外链板



内链板



16X20链销

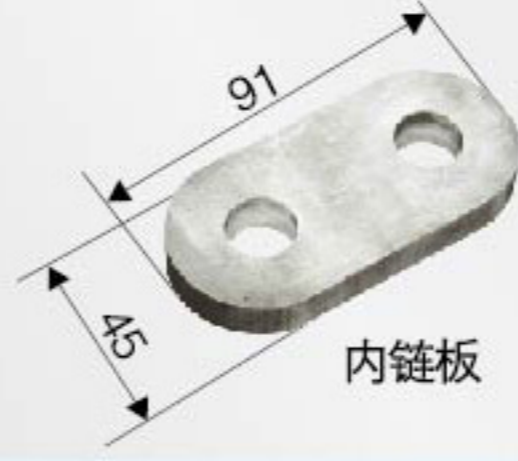


L销

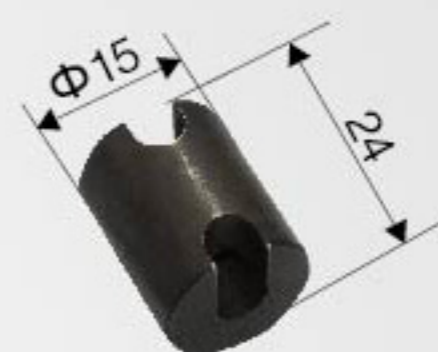
BENETTI
DAZZINI



外链板



内链板



15X24链销

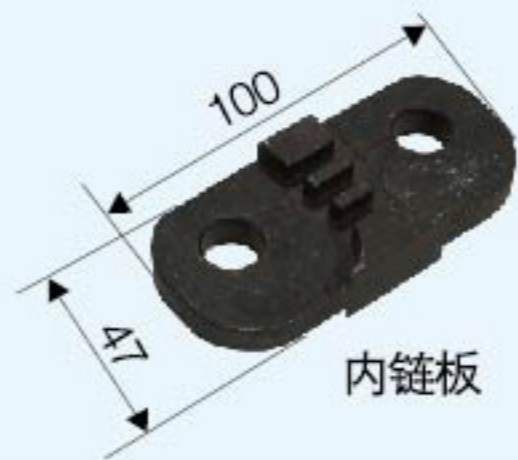


L销

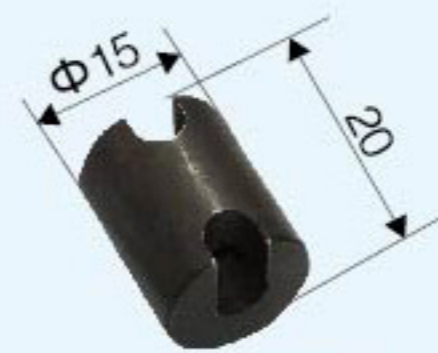
FANTINI



外链板



内链板



15X20链销



L销



中筑8齿链轮
(配22mm链条)



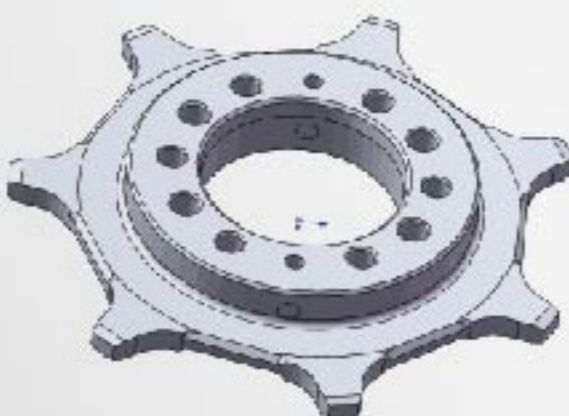
中筑9齿链轮
(配20mm链条)



中筑洞采边链轮



FANTINI



BENETTI



DAZZINI

配件-链臂及轨道

链臂零件



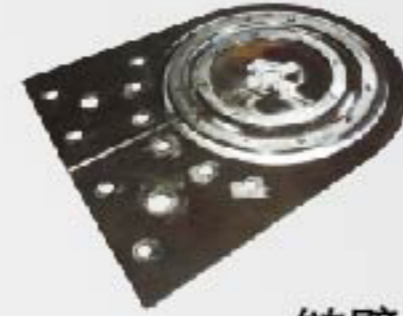
链臂头芯轴



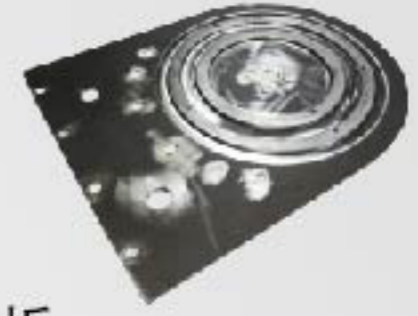
链臂头轴承



链臂头导向轮



链臂头边板



链臂涨紧螺杆



链臂挡板



链臂耐磨条

轨道零件



轨道拉紧螺杆



拉紧螺杆销轴



轨道定位插销



导向轮



轨道调平螺杆



行走轮



行走齿轮

润滑脂系统零件



润滑油分配器



润滑油过滤器



润滑油滤芯



液压型黄油泵



润滑油管



润滑油压力表

液压元件



手动阀



调速阀 1



调速阀 2



测压管



温控器



吸油滤芯



空气滤芯



回油滤芯



电磁阀



压力表1



推拉软轴



压力表2

电气元件



选择按钮



启动按钮



停止按钮



急停按钮



温控表



相序继电器



风扇接触器



液压电机断路器



液压电机接触器



中间继电器1



中间继电器2



中间继电器3



热继电器



开关电源1



开关电源2



开关电源3



开关电源4



变压器接触器



主断路器



主电机接触器



速度表



链条压力表



变压器



测速开关



24V断路器



电源插头插座



电源插头插座2

公司 Company

上海中筑实业有限公司位于上海市嘉定区马陆镇，是一家集石材矿山开采机械设备研发制造、销售、技术服务于一体的科技型实业公司，全国工商联石材商会矿山委员会副主任单位、多项石材矿山机械相关国家标准起草及参与制定单位，公司已通过ISO9001:2008质量体系认证、欧盟市场CE安全认证，并拥有有多项国家专利，本公司愿和各界朋友精诚合作，共谋发展！

Located in Shanghai Jiading District Malu town, Shanghai Zhongzhu Industrial Co.,Ltd. is a R&D, technical reform and service of non-standard machines in one of the technological industrial corporation. We are the deputy director of the national chamber of commerce for stone industry, drafting and participating in setting many stone mining machinery related national standards. The company has passed ISO9001:2008 quality system certification, European CE safety certification, and has several national patents, Our company is willing to work with friends from home and abroad, sincere cooperation and common development.



地址：上海市嘉定区马陆镇彭封路108号丙5号 Post: 201801
 Add: 108-5, Pengfeng Rd, Jiading District, Shanghai, China
 Tel: +86 21 59100238 Fax: +86 21 59100251
 Mp: +86 13916586080 QQ: 737866920 Wechat: sh-liuzhi
 www.zzsy-sh.com E-mail: shzhongzhu@163.com

